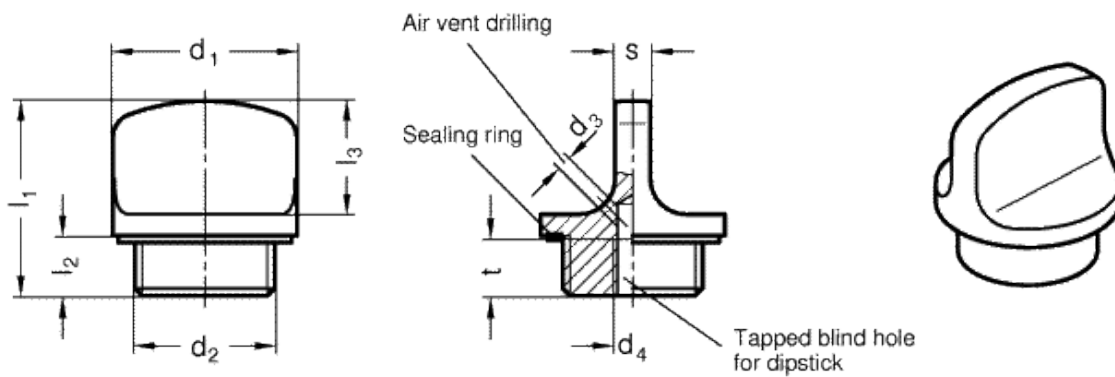


# GN 442

Plugs for application with high temperatures



## technical informations

### Material

Aluminium.

### Finish

- Version SW: RAL 9005 black, matte finish, epoxy resin coating.
- Version BL: blank, tumbled.

### Flat packing ring

FPM (type VITON<sup>®</sup>) rubber.

### Maximum continuous working temperature

200° C.

### Vent drilling

- Identification no. 1: without vent drilling.
- Identification no. 2: with vent drilling.

### Features and applications

Threaded plugs GN 442 with the external diameter  $d_1$  match the screw-in holes for DIN 3852 pipe bolt connections.

The sealing ring is embedded in a radial recess on the plane side, which makes the sealing ring captive and cannot be squeezed out during tightening. The sealing is also relatively soft, enhancing the sealing effect also on uneven surfaces.

### Special executions on request (For sufficient quantities)

Threaded plugs with dipstick.

Standard Elements	Main dimensions									Weight
Description	$d_1$	$d_2$	$d_3$ Vent drilling	$d_4$	$l_{1 \pm 0.5}$	$l_2$	$l_3$	s	$t_{min.}$	g
GN 442-22-G3/8-1-SW	22	G3/8	2	M5	26	8	15	5	8	12
GN 442-22-G3/8-1-BL	22	G3/8	2	M5	26	8	15	5	8	12
GN 442-22-G3/8-2-SW	22	G3/8	2	M5	26	8	15	5	8	12
GN 442-22-G3/8-2-BL	22	G3/8	2	M5	26	8	15	5	8	12
GN 442-22-M16x1.5-1-SW	22	M16x1.5	2	M5	26	8	15	5	8	12
GN 442-22-M16x1.5-1-BL	22	M16x1.5	2	M5	26	8	15	5	8	12
GN 442-22-M16x1.5-2-SW	22	M16x1.5	2	M5	26	8	15	5	8	12
GN 442-22-M16x1.5-2-BL	22	M16x1.5	2	M5	26	8	15	5	8	12
GN 442-26-G1/2-1-SW	26	G1/2	2	M5	27.5	8.5	16	5	8	17
GN 442-26-G1/2-1-BL	26	G1/2	2	M5	27.5	8.5	16	5	8	17
GN 442-26-G1/2-2-SW	26	G1/2	2	M5	27.5	8.5	16	5	8	17
GN 442-26-G1/2-2-BL	26	G1/2	2	M5	27.5	8.5	16	5	8	17
GN 442-26-M20x1.5-1-SW	26	M20x1.5	2	M5	27.5	8.5	16	5	8	17
GN 442-26-M20x1.5-1-BL	26	M20x1.5	2	M5	27.5	8.5	16	5	8	17
GN 442-26-M20x1.5-2-SW	26	M20x1.5	2	M5	27.5	8.5	16	5	8	17
GN 442-26-M20x1.5-2-BL	26	M20x1.5	2	M5	27.5	8.5	16	5	8	17
GN 442-32-G3/4-1-SW	32	G3/4	2	M5	29	9	17	6	8	27
GN 442-32-G3/4-1-BL	32	G3/4	2	M5	29	9	17	6	8	27
GN 442-32-G3/4-2-SW	32	G3/4	2	M5	29	9	17	6	8	27
GN 442-32-G3/4-2-BL	32	G3/4	2	M5	29	9	17	6	8	27
GN 442-32-M26x1.5-1-SW	32	M26x1.5	2	M5	29	9	17	6	8	27
GN 442-32-M26x1.5-1-BL	32	M26x1.5	2	M5	29	9	17	6	8	27
GN 442-32-M26x1.5-2-SW	32	M26x1.5	2	M5	29	9	17	6	8	27
GN 442-32-M26x1.5-2-BL	32	M26x1.5	2	M5	29	9	17	6	8	27
GN 442-40-G1-1-SW	40	G1	2	M5	32.5	11	18	7	8	48
GN 442-40-G1-1-BL	40	G1	2	M5	32.5	11	18	7	8	48
GN 442-40-G1-2-SW	40	G1	2	M5	32.5	11	18	7	8	48
GN 442-40-G1-2-BL	40	G1	2	M5	32.5	11	18	7	8	48

